

**Innovative operator compartment
for relaxed and safe operation**

**Powerful 3-phase AC drive motor
for the highest performance**

**ShockProtect to protect operator,
truck and load**

**“SmartPilot” electric tiller for precise,
effortless steering**

**Curve Control for increased safety
when cornering**

Foldable stand-on platform (optional)



ERE 225

Electric powered pallet truck with stand-on platform (2500 kg)

The ERE 225 is the perfect truck for high performance loading and offloading of lorries as well as the rapid transportation of heavy loads over longer distances. Due to the sideways operators position this allows higher speeds, and high production can be achieved transporting loads.

The operator compartment is laid out to suit the requirements of the operator:

- Innovative operator concept for safe travel during both forward and reverse manoeuvring.
- Extra high sides to the operator compartment ensure exceptional operator protection.

- A variety of options as well as a height-adjustable tiller ensure the ergonomic and fatigue-free operation of the truck over the entire shift.

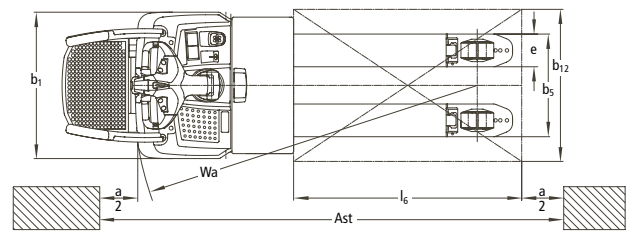
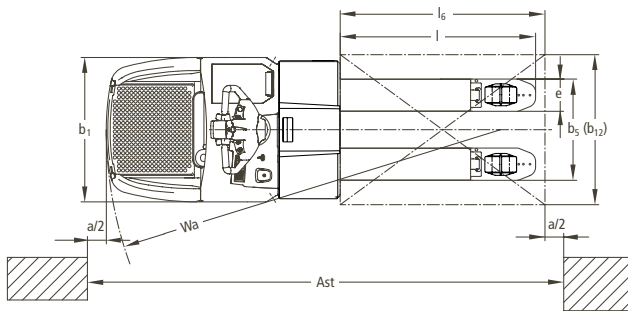
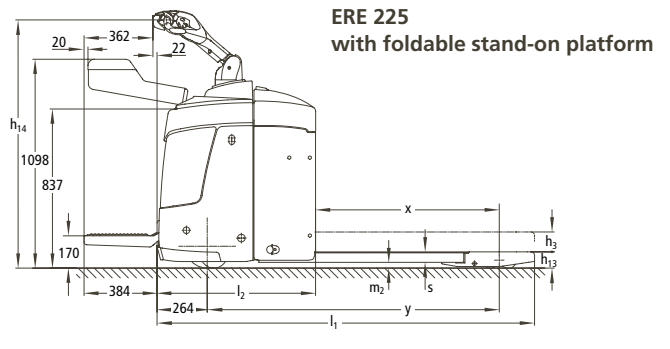
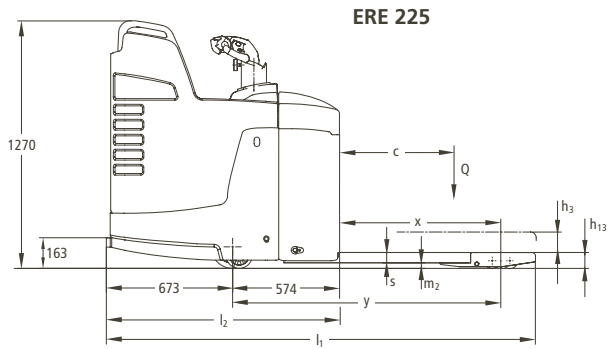
Also there are many safety features and driver comforts for every application :

- As well as cushioned stand-on platform, the drive motor is dampened using the “ShockProtect” system.
- With “ShockProtect” the stand-on platform is shielded from shocks. The advantages: reduced strain on the operator’s back and less stress on the chassis and components of the ERE 225.

- Especially during demanding situations or heavy reversing, maximum safety is ensured by the enclosed sides and fixed stand-on platform.
- The speed during cornering is automatically reduced dependent on steering angle (Curve Control).

For really demanding applications, high performance batteries up to 465 Ah are available and for multi-shift applications, the ERE 225 is available with sideways battery exit (optional). For operation in confined spaces, the ERE 225 is available with a foldable stand-on platform (optional).

ERE 225



Technical Data in line with VDI 2198 as at: 10/2009

Identification	1.1	Manufacturer (abbreviation)	Jungheinrich	Jungheinrich	1.1	
	1.2	Manufacturer's type designation	ERE 225 (fixed platform)	ERE 225 (foldable stand-on platform)	1.2	
	1.3	Drive	electric	electric	1.3	
	1.4	Operator type	stand	pedestrian/stand	1.4	
	1.5	Load capacity/rated load	Q (t)	2.5	2.5	1.5
	1.6	Load centre distance	c (mm)	600	600	1.6
	1.8	Load distance, centre of drive axle to fork	x (mm)	911 ¹⁾	911 ¹⁾	1.8
	1.9	Wheelbase	y (mm)	1484 ¹⁾ 4)	1484 ¹⁾ 4)	1.9
	Weights	2.1	Service weight incl. battery (see line 6.5)	kg	850	792
2.2		Axle loading, laden front/rear	kg	2090/1260	2187/1105	2.2
2.3		Axle loading, unladen front/rear	kg	150/700	158/634	2.3
Wheels, Chassis	3.1	Tyres	Vulkollan®	Vulkollan®	3.1	
	3.2	Tyre size, front	85x110/85x85	85x110/85x85	3.2	
	3.3	Tyre size, rear	230x77	230x77	3.3	
	3.4	Additional wheels (dimensions)	140 x 57	140 x 57	3.4	
	3.5	Wheels, number front rear (x = driven wheels)	1x+2/2 or 4	1x+2/2 or 4	3.5	
	3.6	Tread, front	b ₁₀ (mm)	513	513	3.7
	3.7	Tread, rear	b ₁₁ (mm)	338/368/498	338/368/498	3.7
Basic Dimensions	4.4	Lift	h ₃ (mm)	122	122	4.4
	4.9	Height of tiller in drive position min./max.	h ₁₄ (mm)	1267	1158/1414	4.9
	4.15	Height, lowered	h ₁₃ (mm)	85	85	4.15
	4.19	Overall length	l ₁ (mm)	2397 ⁴⁾	1986 ⁴⁾	4.19
	4.20	Length to face of forks	l ₂ (mm)	1247 ⁴⁾	834 ⁴⁾	4.20
	4.21	Overall width	b ₁ /b ₂ (mm)	770 /-	770 /-	4.21
	4.22	Fork dimensions	s/e/l (mm)	55/172/1150	55/172/1150	4.22
	4.25	Distance between fork-arms	b ₅ (mm)	510 / 540 / 670	510 / 540 / 670	4.25
	4.32	Ground clearance, centre of wheelbase	m ₂ (mm)	30	30	4.32
	4.33	Aisle width for pallets 1000 x 1200 crossways	Ast (mm)	2699 ²⁾ 4)	2253 ²⁾ 4) 5)	4.33
	4.34	Aisle width for pallets 800 x 1200 lengthways	Ast (mm)	2749 ²⁾ 4)	2300 ²⁾ 4) 5)	4.34
	4.35	Turning radius	Wa (mm)	2260 ¹⁾ 4)	1812 ¹⁾ 4) 5)	4.35
	Performance Data	5.1	Travel speed, laden/unladen	km/h	9.5/12.5	9.5/12.5
5.2		Lift speed, laden/unladen	m/s	0.05/0.06	0.05/0.06	5.2
5.3		Lowering speed, laden/unladen	m/s	0.055/0.04	0.055/0.04	5.3
5.8		Max. gradeability, laden/unladen	%	8/16	8/16	5.8
5.10		Service brake		regenerative	regenerative	5.10
Combustion Engine		6.1	Drive motor rating S ₂ 60 min.	kW	2.8	2.8
	6.2	Lift motor rating at S ₃ 10%	kW	2.2	2.2	6.2
	6.3	Battery acc. to DIN 43531/35/36 A, B, C, no		B	B	6.3
	6.4	Battery voltage, nominal capacity K _s	V/Ah	24/375 (465)	24/375 (465)	6.4
	6.5	Battery weight	kg	288 (368)	288 (368)	6.5
	6.6	Energy consumption acc. to VDI cycle	kWh/h	0.59	0.59	6.6
Others	8.1	Type of drive control		AC SpeedControl	AC SpeedControl	8.1
	8.4	Sound level at the driver's ear according to EN 12 053	dB (A)	66	66	8.4

- 1) load section lowered: + 55 mm
 2) diagonal acc. to VDI: + 368 mm
 3) diagonal acc. to VDI: + 204 mm
 4) with sideways battery exit: + 72.5 mm
 5) with plattform down: + 384 mm

Make use of the advantages

Powerful 3-phase AC drive motor and "intelligent" electronic controller

Progressive drive technology and control electronics (SpeedControl) ensure safe and energy saving operation with adjustment to every application:

- The speed set by the accelerator is maintained in every travel situation – even during climbing and descending gradients and slopes.
- The ERE 225 is protected against unintended rollback on ramps by automatic brake activation.
- Energy is returned to the battery during speed reduction using regenerative braking.



ERE 225 with foldable stand-on platform



Comfortable workplace



Travel with the forks trailing with the ERE 225

- Various storage areas for operator paperwork, clipboard etc.

Foldable stand-on platform (optional)

- A choice of options pedestrian/ride-on operation.
- Reduced travel speeds; ride-on, when side protection/support arms are folded-in (6 km/h) and in pedestrian operation (4 km/h).
- Minimum working area requirement.

Optimum handling characteristics

- Sprung and cushioned support wheels connected via the torsion bar ProTraLink system, ensure safe handling in all situations.
- Jungheinrich ShockProtect: protection for operator, truck and load through additional suppression/suspension of the drive train. The suspension minimises shocks to the operator and chassis.

Always informed

- Information display "CanDis" (optional) with additional "operating hours" display and service code memory.

Ergonomic steering

The newly developed tiller head is easily adjustable to the ergonomic needs of the operator.

- Clear colour coded buttons with abrasion resistant symbols for intuitive operation.
- Comfortable and well arranged operator compartment.
- Contactless sensor system protected in accordance with IP 65.
- Rocker switch for intuitive and safe operation of hydraulic functions.
- Height-adjustable tiller head (optional).

Reduced maintenance

- Easy access to all components through an easily removable one-piece motor cover.
- Activation of maximum travel speed only by suitably raised forks ensures a reliable reduction in wear under the forks (optional).

Longer times in operation

Battery capacities with up to 465 Ah ensure longer times in operation:

- Battery compartment L: 3 EPzS 375 Ah.
- Battery compartment L-high: 3 EPzS 465 Ah.
- Side battery replacement (optional) for fast battery change in multi-shift applications.

Additional equipment

- Entry rollers.
- Load protection frame.
- Cold store application.

Safer and more ergonomic operator compartment

The workplace is adjusted to fit operator and application requirements:

- New operator position: when travelling with the forks trailing, the operator can stand sideways and hold themselves steady with one hand on the tiller, and the other on the fixed platform handle, therefore maintaining full control of the vehicle at all times.
- The operator compartment is symmetrically arranged for easy operation by both right-handed and left-handed operators.

Jungheinrich UK Ltd.

Head Office:

Sherbourne House · Sherbourne Drive

Tilbrook · Milton Keynes MK7 8HX

Phone 01908 363100

Fax 01908 363180

info@jungheinrich.co.uk

www.jungheinrich.co.uk



Jungheinrich trucks conform to the European Safety Requirements.

JUNGHEINRICH
Well worthwhile