

Enclosed fork tips

Unique control handle for easy operation

Acid-resistant chassis

Robust and sturdy chassis

Compact and manoeuvrable

Grease nipples on moving parts



AM I20/I20p

Stainless steel hand pallet truck (2000 kg)

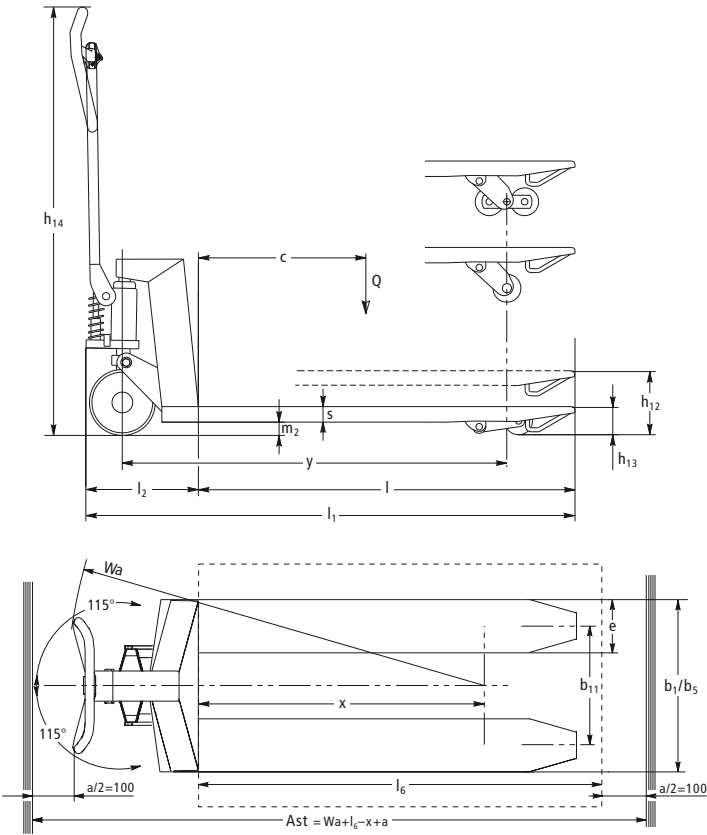
The Jungheinrich AM stainless steel hand pallet truck is ideal for use in damp and harsh environments. Wherever absolute hygiene is required, the advantages of stainless steel come to the fore.

A whole range of models are available, depending on the application.

Jungheinrich's decades of experience in stainless steel hand pallet trucks is reflect-

ed today in its reliable and robust trucks. In meat or fish processing, chemical or pharmaceuticals sectors, Jungheinrich stainless steel hand pallet trucks offer the right solution.

AM I20/I20p



Technical Data in line with VDI 2198 as at: 09/2011

Identification	1.1	Manufacturer (abbreviation)	Jungheinrich	Jungheinrich	Jungheinrich	1.1		
	1.2	Manufacturer's type designation	AM 120/I20p (810 mm)	AM 120/I20p (970 mm)	AM 120/I20p (1140 mm)	1.2		
	1.4	Operator type	hand	hand	hand	1.4		
	1.5	Load capacity/rated load	Q (t)	2	2	2	1.5	
	1.6	Load centre distance	c (mm)	400	500	600	1.6	
	1.8	Load distance (Centre of load axle to fork face)	x (mm)	645	805	975	1.8	
	1.9	Wheelbase	y (mm)	875	1035	1170	1.9	
	Weights	2.1	Service weight	kg	64	66	68	2.1
		2.2	Axle loading, laden front/rear	kg	–	–	1432/636	2.2
2.3		Axle loading, unladen front/rear	kg	–	–	47/21	2.3	
Wheels, Chassis	3.1	Tyres	N; V	N; V	N; V	3.1		
	3.2	Tyre size, front	mm	Ø200x50	Ø200x50	Ø200x50	3.2	
	3.3	Tyre size, rear	mm	Ø80x90/80x70	Ø80x90/80x70	Ø80x90/80x70	3.3	
	3.5	Wheels, number front/rear (x = driven wheels)		2/2 or 2/4	2/2 or 2/4	2/2 or 2/4	3.5	
	3.6	Track width, front	b ₁₀ (mm)	130	130	130	3.6	
	3.7	Track width, rear	b ₁₁ (mm)	360	360	360	3.7	
	Basic Dimensions	4.4	Lift	h ₃ (mm)	115	115	115	4.4
4.9		Height of tiller in drive position min./max.	h ₁₄ (mm)	1220	1220	1220	4.9	
4.14		Stand height, elevated	h ₁₂ (mm)	200	200	200	4.14	
4.15		Height, lowered	h ₁₃ (mm)	85	85	85	4.15	
4.19		Overall length	l ₁ (mm)	1150	1310	1480	4.19	
4.20		Length to face of forks	l ₂ (mm)	340	340	340	4.20	
4.22		Fork dimensions	s/e/l (mm)	45x160x810	45x160x970	45x160x1140	4.22	
4.25		Width across forks	b ₅ (mm)	520/680	520/680	520/680	4.25	
4.32		Ground clearance, centre of wheelbase	m ₂ (mm)	38	38	38	4.32	
4.33		Aisle width for pallets 1000x1200 crossways	Ast (mm)	1610	1610	1610	4.33	
4.34		Aisle width for pallets 800x1200 lengthways	Ast (mm)	1810	1810	1810	4.34	
4.35	Turning radius	Wa (mm)	1000	1000	1000	4.35		
Performance Data	5.3	Lowering speed, laden/unladen	m/s	0.09/0.04	0.09/0.04	0.09/0.04	5.3	

Make use of the advantages



Control

Easy to operate

The easy to operate control is suitable for both left and right-handers. The special lowering valve enables loads to be lowered precisely.

Hygiene to a high degree

The encased fork tips ensure that no dirt can spray up through the fork rollers to the load. Freely accessible or fully enclosed cavities allow for effective cleaning without leaving any bacteria "hiding spots". Grease nipples on all moving parts and food-contact grease (class H1 and H2) complete the solution.

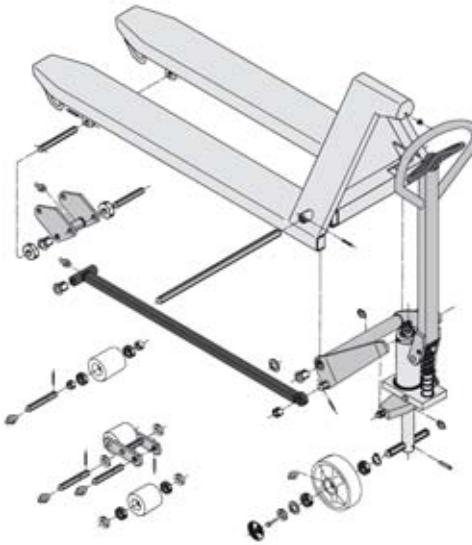
Speedy during transport

The very short chassis length of 340 mm allows for safe and easy operation even in confined spaces. Brackets on the fork tips enable the forks to extend and retract easily.



Encased fork tips

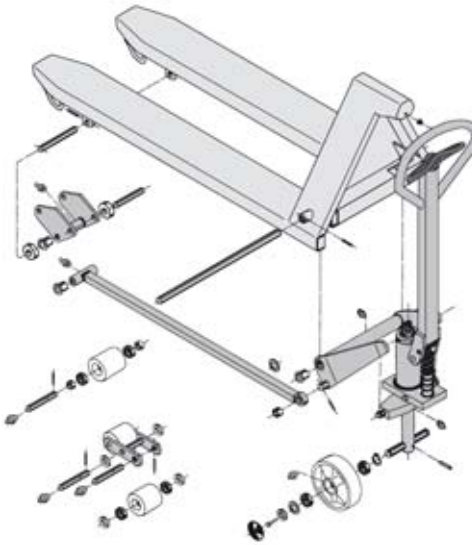
AM I20



Not all environments require trucks to be made of 100 % stainless steel. Parts that come into direct contact with food must be made of stainless steel. Many components however need only be humidity-resistant. The components of the AM I20 consist therefore of a range of surfaces.

- Chassis: acid resistant stainless steel (AISI 316)
- Tiller: stainless steel (AISI 303/304)
- Pump: chromite coating
- Axle: stainless steel (AISI 303/304)
- Cross-member/reversing lever: stainless steel (AISI 303/304)
- Push rod: Autophorese
- Support arm lever: stainless steel (AISI 303/304)

AM I20p



The AM I20p is 100 % rust-proof and has been designed specially for applications where hygiene is important or particularly harsh environments. The hydraulics are protected; no foreign bodies or water can penetrate through.

- Chassis: acid resistant stainless steel (AISI 316)
- Tiller: stainless steel (AISI 303/304)
- Pump: stainless steel (AISI 303/304)
- Axle: stainless steel (AISI 303/304)
- Cross-member/reversing lever: stainless steel (AISI 303/304)
- Push rod: stainless steel (AISI 303/304)
- Support arm lever: stainless steel (AISI 303/304)

Jungheinrich UK Ltd.

Head Office:

Sherbourne House · Sherbourne Drive
Tilbrook · Milton Keynes MK7 8HX
Phone 01908 363100
Fax 01908 363180

info@jungheinrich.co.uk
www.jungheinrich.co.uk



Jungheinrich trucks conform to the European Safety Requirements.

JUNGHEINRICH
Machines. Ideas. Solutions.