

**Corrosion protection through
hot dip galvanisation**

Robust and reliable

Compact and manoeuvrable

Unique control handle



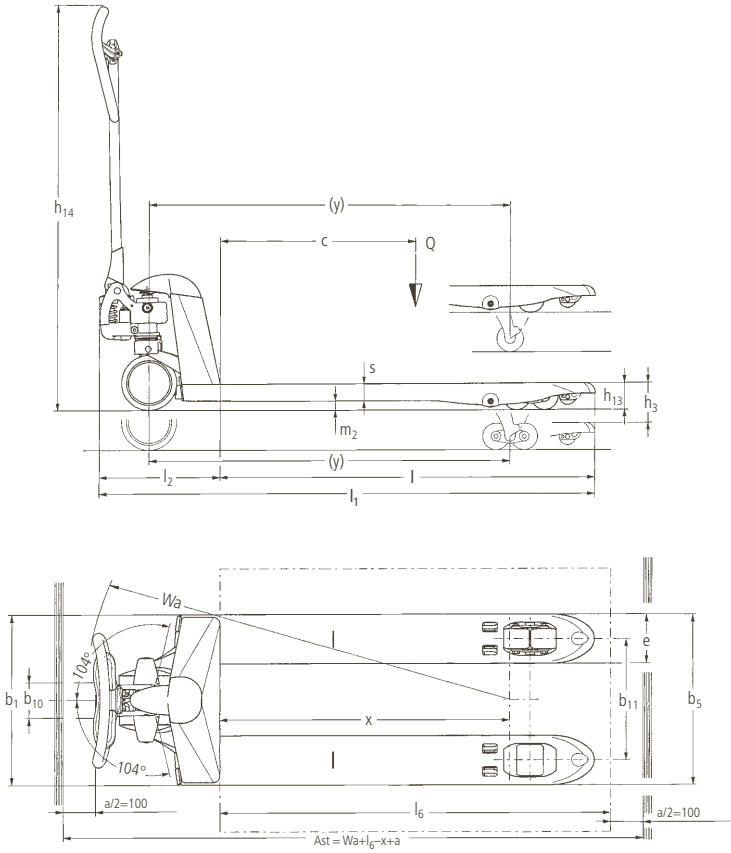
AM G20

Hand pallet truck, galvanised (2000 kg)

The Jungheinrich AM G20 hand pallet truck is the perfect solution for outdoor operation and in particular humid environments. A zinc coating provides the

truck's steel components with a reliable protection against corrosion. The main application areas include wholesale markets and fruit growing operations.

AM G20



Technical data in line with VDI 2198 as at: 06/2010

Identification	1.1	Manufacturer (abbreviation)	Jungheinrich	Jungheinrich	Jungheinrich	1.1	
	1.2	Manufacturer's type designation	AM G20	AM G20	AM G20	1.2	
	1.3	Drive	manual	manual	manual	1.3	
	1.4	Operator type	hand	hand	hand	1.4	
	1.5	Load capacity/rated load	Q (t)	2	2	2	1.5
	1.6	Load centre distance	c (mm)	400	500	600	1.6
	1.8	Load distance (Centre of load axle to fork face)	x (mm)	535	690	890	1.8
	1.9	Wheelbase	y (mm)	755	910	1110	1.9
	Weights	2.1	Service weight	kg	56 ¹⁾	58 ⁵⁾	63 ²⁾
2.3		Axle loading, unladen front/rear	kg	38 / 20	–	38/20 ³⁾	2.3
Wheels, Chassis	3.1	Tyres	N; PU	N; PU	N; PU	3.1	
	3.2	Tyre size, front	mm	170x44	170x44	170x44	3.2
	3.3	Tyre size, rear	mm	82x96 ⁴⁾	82x96 ⁴⁾	82x96 ⁴⁾	3.3
	3.5	Wheels, number front rear (x = driven wheels)		2/2 or 2/4	2/2 or 2/4	2/2 or 2/4	3.5
	3.6	Track width, front	b ₁₀ (mm)	109	109	109	3.6
	3.7	Track width, rear	b ₁₁ (mm)	370	370	370	3.7
	Basic Dimensions	4.4	Lift (standard mast)	h ₃ (mm)	122	122	122
4.9		Height of tiller in drive position min./max.	h ₁₄ (mm)	1234	1234	1234	4.9
4.14		Stand height, elevated	h ₁₂ (mm)	205	205	205	4.14
4.15		Height, lowered	h ₁₃ (mm)	83	83	83	4.15
4.19		Overall length	l ₁ (mm)	1165	1320	1520	4.19
4.20		Length to face of forks	l ₂ (mm)	373	373	373	4.20
4.21		Overall width	b ₁ /b ₂ (mm)	520/680	520/680	520/680	4.21
4.22		Fork dimensions	s/e/l (mm)	53/150/795	53/150/950	53/150/1150	4.22
4.25		Width across forks	b ₅ (mm)	520/680	520/680	520/680	4.25
4.32		Ground clearance, centre of wheelbase	m ₂ (mm)	30	30	30	4.32
4.33		Aisle width for pallets 1000 x 1200 crossways	Ast (mm)	1584	1584	1584	4.33
4.34	Aisle width for pallets 800 x 1200 lengthways	Ast (mm)	1784	1784	1784	4.34	
4.35	Turning radius	Wa (mm)	919	1074	1274	4.35	
Performance Data	5.3	Lowering speed, laden/unladen	km/h	0.09/0.02	0.09/0.02	0.09/0.02	5.3

- 1) 58 kg at 680 mm width
 2) 65 kg at 680 mm width
 3) width 520 mm
 4) 82 x 62 tandem tyres
 5) 60 kg at 680 mm width

Make use of the advantages

Galvanised surface

High degree of corrosion protection through hot dip galvanisation.

Easy to operate

The easy to operate control handle is suitable for both left and right-handers. The special lowering valve enables loads to be lowered precisely.

More compact and manoeuvrable

The chassis length of 373 mm allows the truck to be used safely and easily in confined areas.

Effortless and simple

The improved hydraulic system reduces the pump force required. Low friction wheels reduce the pulling power.



AM G20 – corrosion protection through galvanisation



Maintenance-free hydraulics

Silent and robust

The chromed bearings on the wheels and joints ensure the truck runs quietly over a long useful life. Joints no longer require greasing, the AM G20 runs smoothly.

Clear and safe

Markings on the truck show the exact pallet position required for crossways lifting.



Permanently lubricated joints for maintenance-free operation

Long-lasting

The best guarantee of durability and extended working life:

- Strengthened forks.
- Contoured shape.
- Welded handle support.
- Protected entry rollers.
- Hardened steel.
- 2000 kg capacity for the basic model.



Contoured fork tips for easy pallet entry

Optional equipment

The AM G20 can be equipped for any application thanks to an extensive range of optional equipment. This includes a range of fork lengths, various widths, wheel combinations and brake systems.

Jungheinrich UK Ltd.

Head Office:

Sherbourne House · Sherbourne Drive
Tilbrook · Milton Keynes MK7 8HX
Phone 01908 363100
Fax 01908 363180

info@jungheinrich.co.uk
www.jungheinrich.co.uk



JUNGHEINRICH
Well worthwhile