

Chassis can be split into two compact parts

Space-saving storage

Fast lift

Unique operating handle

Robust and durable

Wheel carrier (optional)



AM 20t

Hand pallet truck (2000 kg). Easily disassembled and portable.

The new design hand pallet truck AM 20t opens possibilities with regards to mobility and flexibility. The advantages:

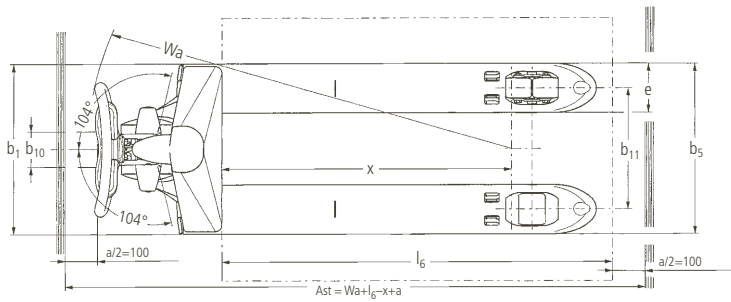
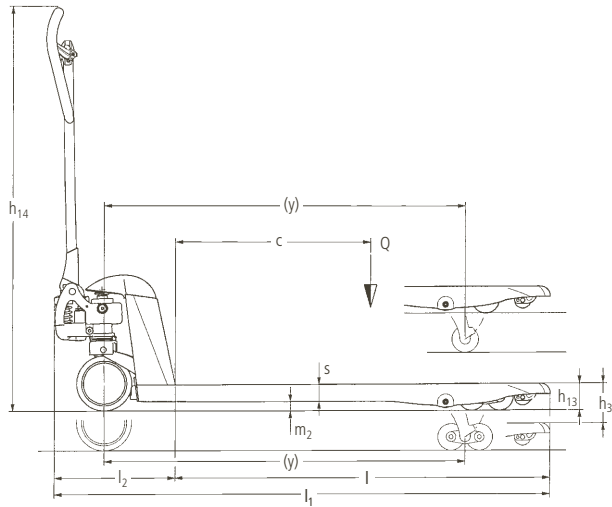
- The AM 20t can be disassembled into two parts in just seconds.
- Each part weighs circa 30 kg.
- Both parts can be easily and compactly stored.

- Fast lift (up to 120 kg capacity) for the lifting of pallets off the floor in only three pumps of the handle.
- Comfortable and simple operating handle for both right and left-handed people. Comfortable and safe manoeuvring is possible with just one hand on the tiller.

- Highly manoeuvrability in confined spaces due to a short chassis length.

The maintenance-free chromed bearings and bushes on wheels and joints, ensure smooth and quiet operation without effort. A variety of load-wheel types and configurations are available to suit different floors.

AM 20t



Technical data in line with VDI 2198 as at: 05/2008

Identification	1.1	Manufacturer (abbreviation)		Jungheinrich	Jungheinrich	1.1	
	1.2	Manufacturer's type designation		AM 20t (795 mm)	AM 20t (1150 mm)	1.2	
	1.4	Operator type		hand	hand	1.4	
	1.5	Load capacity/rated load	Q (t)	2	2	1.5	
	1.6	Load centre distance	c (mm)	400	600	1.6	
	1.8	Load distance, centre of drive axle to fork	x (mm)	535	890	1.8	
	1.9	Wheelbase	y (mm)	755	1110	1.9	
	Weights	2.1	Service weight	kg	51	58	2.1
		2.3	Axle loading, unladen front/rear	kg	–	38/20	2.3
Wheels, Chassis	3.1	Tyres		C; V; N	C; V; N	3.1	
	3.2	Tyre size, front		170	170	3.2	
	3.3	Tyre size, rear		82 x 96/82 x 62 ¹⁾	82 x 96/82 x 62 ¹⁾	3.3	
	3.5	Wheels, number front rear (x = driven wheels)		2/2 or 2/4	2/2 or 2/4	3.5	
	3.6	Tread, front	b ₁₀ (mm)	109	109	3.6	
	3.7	Tread, rear	b ₁₁ (mm)	370	370	3.7	
	Basic Dimensions	4.4	Lift	h ₃ (mm)	122	122	4.4
4.9		Height of tiller in drive position min./max.	h ₁₄ (mm)	1234	1234	4.9	
4.14		Stand height, elevated	h ₁₂ (mm)	205	205	4.14	
4.15		Height, lowered	h ₁₃ (mm)	83	83	4.15	
4.19		Overall length	l ₁ (mm)	1165	1520	4.19	
4.20		Length to face of forks	l ₂ (mm)	373	373	4.20	
4.21		Overall width	b ₁ (mm)	520	520	4.21	
4.22		Fork dimensions	s/e/l (mm)	53/150/795	53/150/1150	4.22	
4.25		Distance between fork-arms	b ₅ (mm)	520	520	4.25	
4.32		Ground clearance, centre of wheelbase	m ₂ (mm)	30	30	4.32	
4.33		Aisle width for pallets 1000 x 1200 crossways	Ast (mm)	1584	1584	4.33	
4.34		Aisle width for pallets 800 x 1200 lengthways	Ast (mm)	1784	1784	4.34	
4.35		Turning radius	Wa (mm)	919	1274	4.35	
Performance Data		5.3	Lowering speed, laden/unladen	m/s	0.09/0.02	0.09/0.02	5.3

1) 82 x 62 tandem tyres

Make use of the advantages

Shorter and more manoeuvrable

The short chassis of only 373 mm gives safe and easy operation even in the most confined spaces.

Simply split into two compact chassis parts

With the minimum of effort in seconds, the AM 20t can be disassembled into two compact components or reassembled ready for use.



Fast assembly/disassembly

Light and robust

The separate components can be easily carried and compactly stored by just one person. There are special grips on the components to make the carrying even easier. With an ability to be simply stored in a lorry, van or car, this hand pallet truck offers the maximum flexibility. The stable and torsion-resistant chassis of the AM 20t is designed from welded solid steel.



Easy lifting by hand

Quiet operation

The chromed wheel bearings and linkages ensure quiet running and long service life. AM 20t is self-lubricating so further lubrication of linkages and bearings is not required.



Durable self-lubricated linkages and bearings for maintenance free application

Wheel carrier (optional)

The large load wheels at the tip of the forks ensure adaptability to nearly all flooring except uneven floors. The wheel carriage is simply inserted into the fork tips after driving into the pallet.



Wheel carriage system for uneven floors

Jungheinrich UK Ltd.

Head Office:

Sherbourne House · Sherbourne Drive
Tilbrook · Milton Keynes MK7 8HX
Phone 01908 363100
Fax 01908 363180

info@jungheinrich.co.uk
www.jungheinrich.co.uk

Jungheinrich AG
ISO 9001, ISO 14001
Certification of Quality and
Environment Management.



Jungheinrich trucks
conform to the European
Safety Requirements.



JUNGHEINRICH
Well worthwhile