

Extremely low lowered height  
of just 51 mm

Fast lift

Compact and manoeuvrable

Robust and reliable

Flexible dual-handed controls

Particularly quiet operation



## AM 15l

### Hand pallet truck with low profile forks (1500 kg)

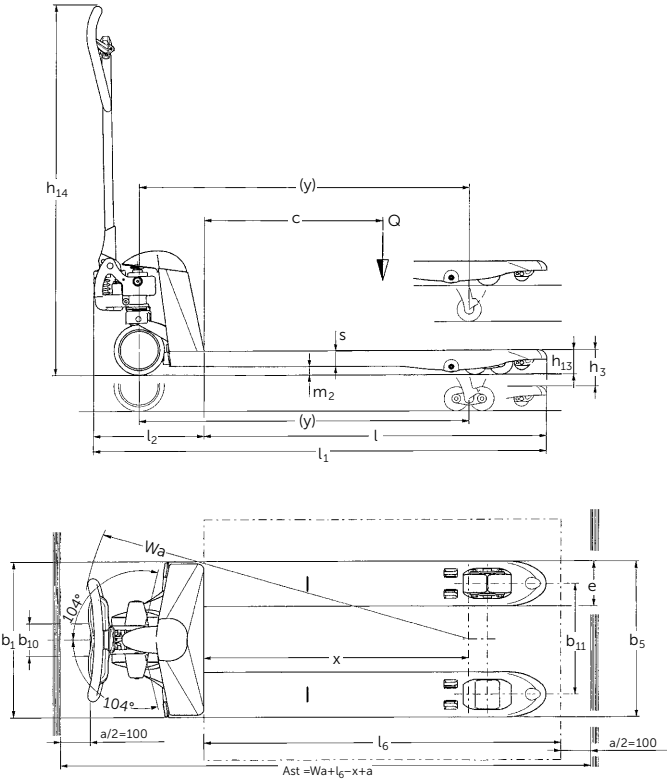
The AM 15l is ideal for pallets with a low entry height. The lowered height of 51 mm allows a large number of flat and special pallets to be handled.

Despite the low entry height, the AM 15l has a ground clearance of 13 mm. This allows it to operate on slightly uneven surfaces with no problems at all.

The controls are easy to operate and extremely well laid out, thus ensuring safe and swift operation of the hand pallet truck in all applications.

A standard feature, the fast lift (up to 120 kg) with automatic changeover always provides optimum operating force. Just a few pump strokes are enough to raise the pallet clear of the floor. This saves not only time and money but increases productivity.

# AM 15l



# Technical data in line with VDI 2198

as at: 06/2012

Identification	1.1	Manufacturer (abbreviation)		Jungheinrich	Jungheinrich	Jungheinrich
	1.2	Manufacturer's type designation		<b>AM 15I</b>	<b>AM 15I</b>	<b>AM 15I</b>
	1.3	Drive		manual	manual	manual
	1.4	Operator type		hand	hand	hand
	1.5	Load capacity/rated load	Q (t)	1.5	1.5	1.5
	1.6	Load centre distance	c (mm)	400	500	600
	1.8	Load distance (Centre of load axle to fork face)	x (mm)	525	680	880
	1.9	Wheelbase	y (mm)	745	900	1100
	Weights	2.1	Service weight	kg	71 <sup>1)</sup>	72 <sup>1)</sup>
2.3		Axle loading, unladen front/rear	kg	-	-	60/28 <sup>2)</sup>
Wheels, Chassis	3.1	Tyres		C; N	C; N	C; N
	3.2	Tyre size, front	mm	Ø 170x50	Ø 170x50	Ø 170x50
	3.3	Tyre size, rear	mm	Ø 50x70	Ø 50x70	Ø 50x70
	3.5	Wheels, number front rear (x = driven wheels)		2/4	2/4	2/4
	3.6	Track width, front	b <sub>10</sub> (mm)	109	109	109
	3.7	Track width, rear	b <sub>11</sub> (mm)	370	370	370
	4.4	Lift (standard mast)	h <sub>3</sub> (mm)	120	120	120
	4.9	Height of tiller in drive position min./max.	h <sub>14</sub> (mm)	1237	1237	1237
	4.14	Stand height, elevated	h <sub>12</sub> (mm)	171	171	171
Basic Dimensions	4.15	Height, lowered	h <sub>13</sub> (mm)	51	51	51
	4.19	Overall length	l <sub>1</sub> (mm)	1175	1330	1530
	4.20	Length to face of forks	l <sub>2</sub> (mm)	380	380	380
	4.21	Overall width	b <sub>7</sub> /b <sub>2</sub> (mm)	520/680	520/680	520/680
	4.22	Fork dimensions	s/e/l (mm)	38/150/795	38/150/950	38/150/1150
	4.25	Width across forks	b <sub>5</sub> (mm)	520/680	520/680	520/680
	4.32	Ground clearance, centre of wheelbase	m <sub>2</sub> (mm)	13	13	13
	4.33	Aisle width for pallets 1000 x 1200 crossways	A <sub>st</sub> (mm)	1584	1584	1584
	4.34	Aisle width for pallets 800 x 1200 lengthways	A <sub>st</sub> (mm)	1784	1784	1784
	4.35	Turning radius	W <sub>a</sub> (mm)	1274	1274	1274
Performance Data	5.3	Lowering speed, laden/unladen	km/h	0.09/0.02	0.09/0.02	0.09/0.02

- 1) +3 kg at 680 mm width over forks  
2) Width over forks 520 mm

This specification sheet according to VDI regulation 2198 only provides technical values for the standard truck. Non-standard tyres, different masts, additional equipment etc. could produce other values. Right reserved for technical changes and improvements.

# Make use of the advantages



Low profile, sturdy forks

### Low lowered height

Its very low lowered height of 51 mm makes the AM 15l ideal for use with pallets with particularly low entry heights.



Control handle operable from both sides

### Easy to operate:

The easy to operate controls are suitable for both left and right handed operators. The special lowering valve enables loads to be lowered precisely or in small increments. A standard feature, the fast lift (up to 120 kg) ensures fast lifting of pallets clear of the floor with just a few strokes of the pump.



Permanently lubricated connections for maintenance-free operation

### Compact and manoeuvrable:

The chassis length of 380 mm allows the truck to be used safely and easily in confined areas.

### Quiet running and sturdy

The sturdy wheel bushes and joints ensure the truck runs quietly during a long life. Linkages no longer require greasing; nevertheless the AM 15l still runs very smoothly.

## Jungheinrich UK Ltd.

Head Office:  
Sherbourne House · Sherbourne Drive  
Tilbrook · Milton Keynes MK7 8HX

Phone 01908 363100  
Fax 01908 363180

info@jungheinrich.co.uk  
www.jungheinrich.co.uk



**JUNGHEINRICH**  
Machines. Ideas. Solutions.